

Lifting  
your  
world.



# TRANSFER CARTS

BATTERY POWERED STEERABLE  
BATTERY POWERED RAIL-MOUNTED  
ELECTRIC POWERED RAIL-MOUNTED

**GH**  
CRANES & COMPONENTS

# TRANSFER CARTS

GH transfer carts move loads of all types at ground level, for all industries and a huge variety of applications.

These heavy-duty modular transfer carts are available in a wide range of capacities and dimensions to suit any requirement. They are equipped with all the safety devices needed for ground-level machinery movement.

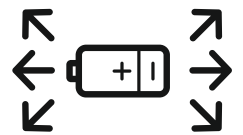
They are an important complement at ground level to cranes lifting heavy loads, and the ideal solution for cargo transfer between halls.

There are three main types of transfer carts, according to movement type:



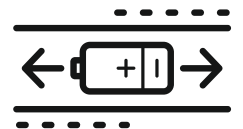
## BATTERY POWERED STEERABLE TRANSFER CARTS

Steerable transfer carts (freely moving) are manufactured in standard capacities from 20 t up to 60 t. They are autonomous and move on battery power freely on smooth floors, inside or outside the building.



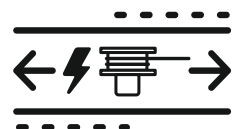
## BATTERY POWERED RAIL-MOUNTED TRANSFER CARTS

Transfer carts on rails (moving in a straight line) are manufactured in standard capacities from 10 t up to 60 t. They are powered by a battery and their movement takes place on rails.

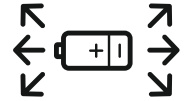


## ELECTRIC POWERED RAIL-MOUNTED TRANSFER CARTS

The transfer carts on rails (moving in a straight line) are manufactured in standard capacities from 10 t up to 60 t. They can be powered by cable reel or by enclosed power line.



# Battery powered steerable transfer carts



## Dimension chart

Load capacity (t)	Dimensions (mm)			Outer wheel radius, minimum rotation (mm)	Speed (m/min)	Battery
	a	b	e			
20	4000	2300	755	9050	20	48v 400Ah
40	5000	2300	825	10350		
60	6000	2500	835	6500		

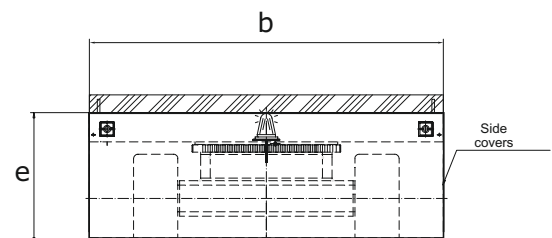
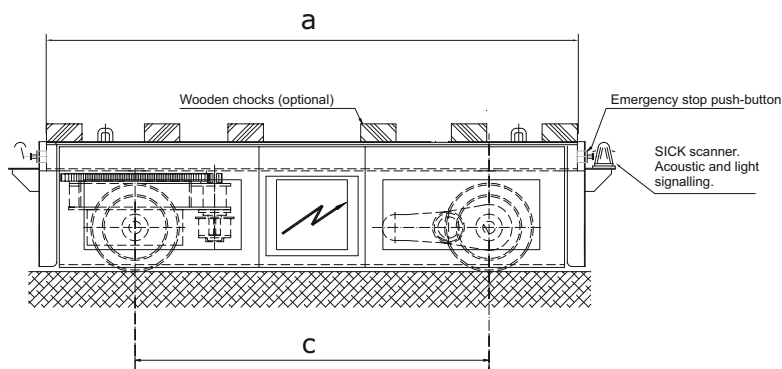
Other capacities and dimensions are possible on request.

### Included as standard:

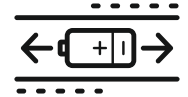
- Battery charger.
- Push-button control with cable.
- Safety measures: SICK scanner for detection of objects and people, emergency stop push-buttons, acoustic and light signalling.

### Optional:

- Radio control.
- Side covers.
- Wooden chocks, metal wedges, supports, etc. on the table.



# Battery powered rail-mounted transfer carts



## Dimension chart

Cap. (t)	Dimensions (mm)				Speed (m/min)	Wheel Ø	Battery
	a	b	d	e			
10	3000	2200	1900	766	20	250	48v 332Ah
20	4000	2700	2400				

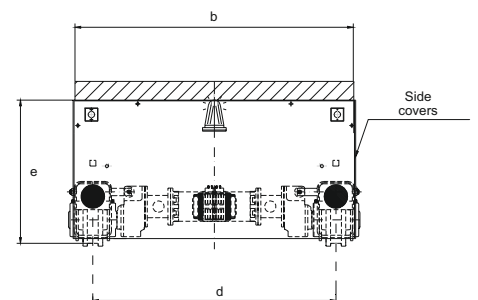
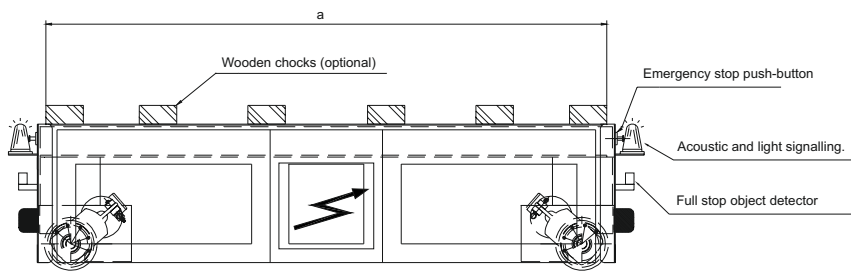
Other capacities and dimensions are possible on request.

### Included as standard:

- Battery charger.
- Push-button control with cable.
- Safety measures: Full stop for detection of objects, emergency stop push-buttons, acoustic and light signalling.

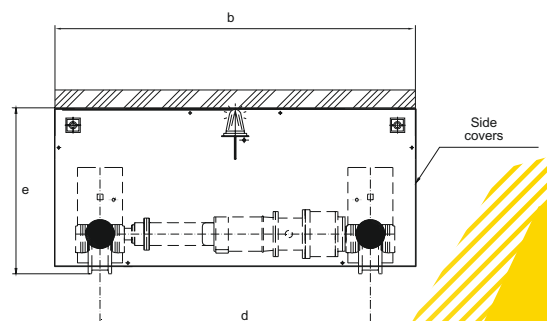
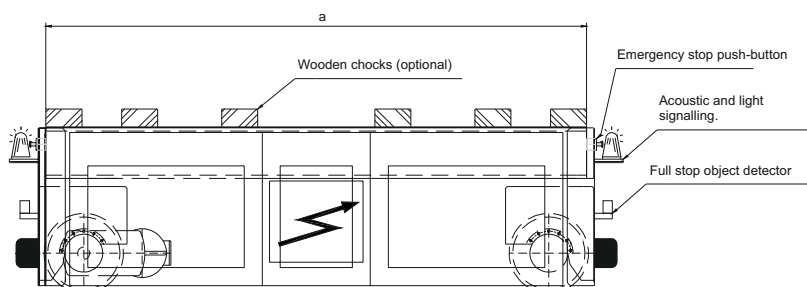
### Optional:

- Radio control.
- Side covers.
- Wooden chocks, metal wedges, supports, etc. on the table.
- SICK scanner for detection of objects and people.

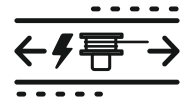


Cap. (t)	Dimensions (mm)				Speed (m/min)	Wheel Ø	Battery
	a	b	d	e			
40	5000	3200	2900	840	20	315	48v 400Ah
60	6000	3600	3100	960			

Other capacities and dimensions are possible on request.



# Electric powered rail-mounted transfer carts



## Dimension chart

Cap. (t)	Dimensions (mm)				Speed (m/min)	Wheel ∅
	a	b	d	e		
10	3000	2200	1900	766	20	250
20	4000	2700	2400			

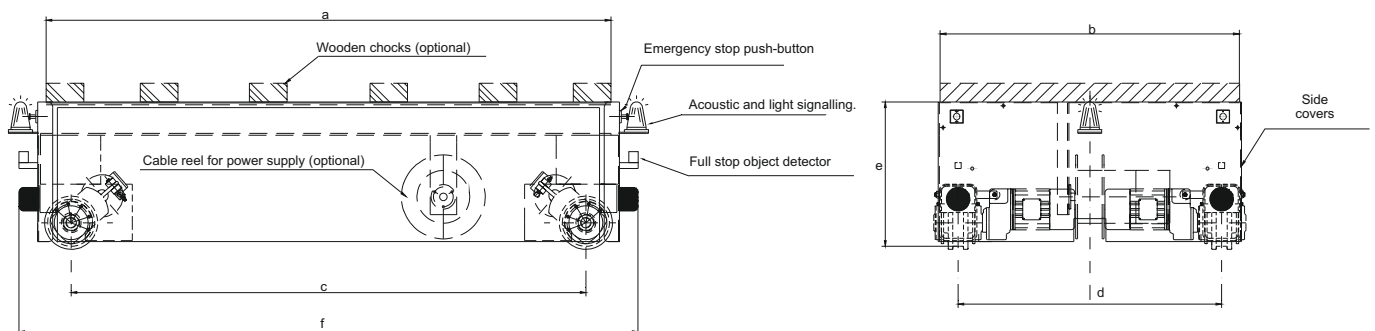
Other capacities and dimensions are possible on request.

### Included as standard:

- Push-button control with cable.
- Safety measures: Full stop for detection of objects, emergency stop push-buttons, acoustic and light signalling.

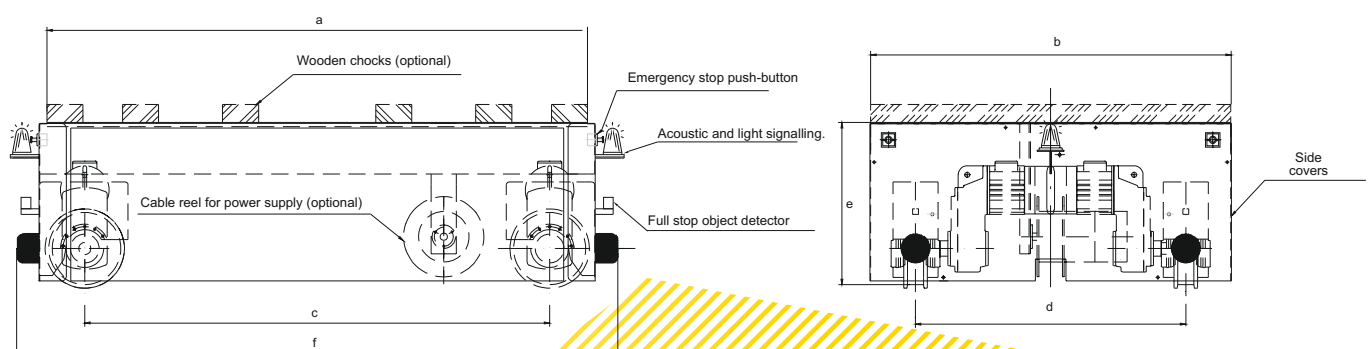
### Optional:

- Radio control.
- Spring-driven cable reel for power supply.
- Collector for the enclosed power line.
- Side covers.
- Wooden chocks, metal wedges, supports, etc. on the table.
- SICK scanner for detection of objects and people.



Cap. (t)	Dimensions (mm)				Speed (m/min)	Wheel ∅
	a	b	d	e		
40	5000	3200	2900	840	20	315
60	6000	3600	3100			

Other capacities and dimensions are possible on request.

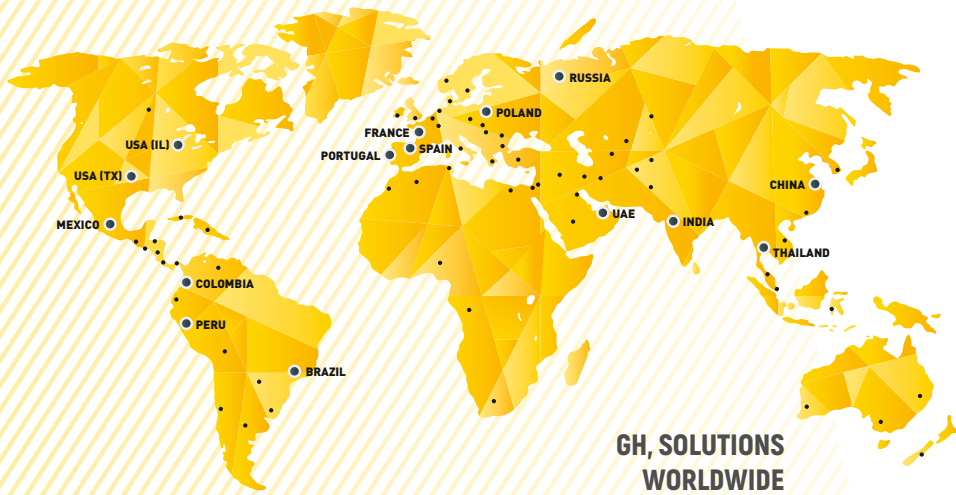


# INSTALLATION EXAMPLES



# INSTALLATION EXAMPLES





GH, SOLUTIONS  
WORLDWIDE

Presence in  
**+70** COUNTRIES  
ON 5 CONTINENTS

**+ 125.000**  
sold cranes

**+ 1.004**

IN THE  
**TOP 5** CRANE  
MANUFACTURERS  
WORLDWIDE

GH, Spain central offices

**-GH-**

[www.ghcranes.com](http://www.ghcranes.com)



**Beasain**  
CENTRAL OFFICES  
T: +34 943 805 660  
[ghcranes@ghcranes.com](mailto:ghcranes@ghcranes.com)



**Olaberría**  
GH GLOBAL SERVICE  
T: +34 902 205 100  
[globalservice@ghcranes.com](mailto:globalservice@ghcranes.com)



**Alsasua**  
MACHINING  
T: +34 948 467 625



**Bakaiku**  
MANUFACTURE OF CRANES  
T: +34 948 562 611



**Jaén**  
SPARE PARTS  
T: +34 902 205 100

GH, subsidiaries in the world



**Brazil** Cabreúva  
GH DO BRASIL IND. E COM. LTDA.  
T: +55 1144090066  
[vendas@ghcranes.com.br](mailto:vendas@ghcranes.com.br)



**China** Shanghai  
GH (SHANGHAI)  
LIFTING EQUIPMENT CO., LTD.  
T: +86 21 5988 7676  
[ghcranes@ghcranes.com.cn](mailto:ghcranes@ghcranes.com.cn)



**Colombia** Bogotá  
GH COLOMBIA SAS  
T: +57 1 750 4427  
[ventasghcolombia@ghcranes.com](mailto:ventasghcolombia@ghcranes.com)



**France** Couëron  
GH FRANCE SA  
T: +33(0) 240 861 212  
[ghfrance@ghcranes.com](mailto:ghfrance@ghcranes.com)



**India** Pune  
GH CRANES INDIA PVT. LTD.  
T: +91 89561 35444  
[ghindia@ghcranes.com](mailto:ghindia@ghcranes.com)



**Mexico** Querétaro  
GRÚAS GH MEXICO SA DE CV  
T: +52 44 22 77 55 03  
+52 44 22 77 50 74  
[ghmexico@ghsa.com.mx](mailto:ghmexico@ghsa.com.mx)



**Peru** Lima  
GH PERÚ S.A.C.  
T: +51 987816231  
[ventasghperu@ghcranes.com](mailto:ventasghperu@ghcranes.com)



**Poland** Kłobuck  
GH CRANES SP. Z O.O.  
T: +48 34 359 73 17  
[office@ghsa.pl](mailto:office@ghsa.pl)



**Portugal** São Mamede do Coronado  
GH PORTUGAL  
T: +351 229 821 688  
[geral@ghcranes.com](mailto:geral@ghcranes.com)



**Russia** Moscow  
GH RUSSIA  
T: +7 (495) 745 69 26  
[ghrussia@ghcranes.com](mailto:ghrussia@ghcranes.com)



**Thailand** Chonburi  
LGH CRANES CO., LTD.  
T: +66 (0)-2327 9399  
[ghthailand@ghcranes.com](mailto:ghthailand@ghcranes.com)



**UAE** Dubai  
GH Cranes Arabia FZCO  
Office no. 517, 5th Floor, Jafza  
Building 16, Jebel Ali Free Zone.  
P.O Box Number - 263594  
T: +971 4 8810773  
[gharabia@ghcranes.com](mailto:gharabia@ghcranes.com)



**USA** Illinois  
GH Cranes & Components USA- IL  
T: (815) 277 5328  
[ghcranesusa@ghcranes.com](mailto:ghcranesusa@ghcranes.com)



**USA** Texas  
GH Cranes & Components USA- TX  
T: (972) 563 8333  
[ghcranesusa@ghcranes.com](mailto:ghcranesusa@ghcranes.com)

**Lifting  
your  
world.**